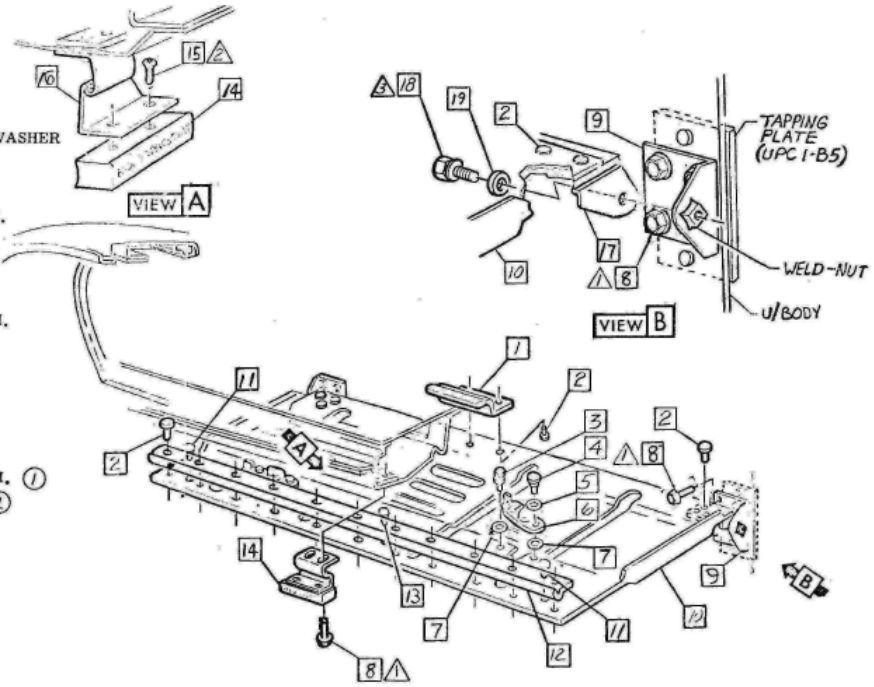
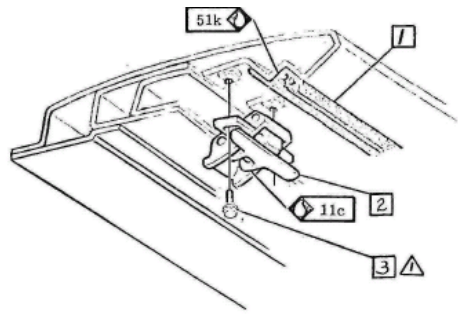


- 1 3926346 CLIP
- 2 3831877 RIVET
- 3 3947966 RIVET
- 4 3947968 RIVET
- 5 3718496 WASHER
- 6 3926403 CLIP & L. WASHER ASM.
- 7 3769610 WASHER
- 8 9421033 SCREW ASM.
- 9 3956002 BRACKET
- 10 3972537 TRAY
- 11 3827411 BUMPER
- 12 3956040 REINF. ASM.
- 13 3972536 BUMPER
- 14 3956004 HANDLE
- 15 9415952 SCREW
- 16 3956001 CLIP
- 17 3926303-4 BRACKET
- 18 3855554 SCREW ASM. ①
- 19 3922010 SPACER ②

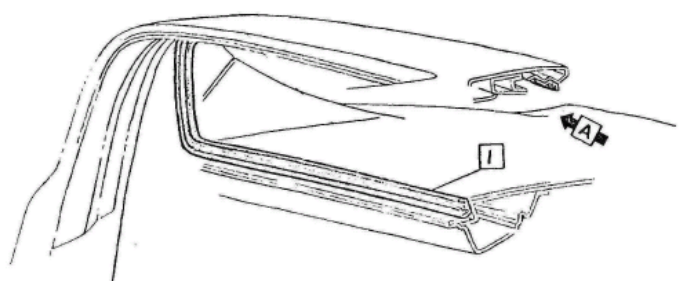


- 1 3964140 WEATHERSTRIP ASM.
- 2 3963103 LOCK ASM.
- 3 9418894 SCREW ASM.
- ③
- ④



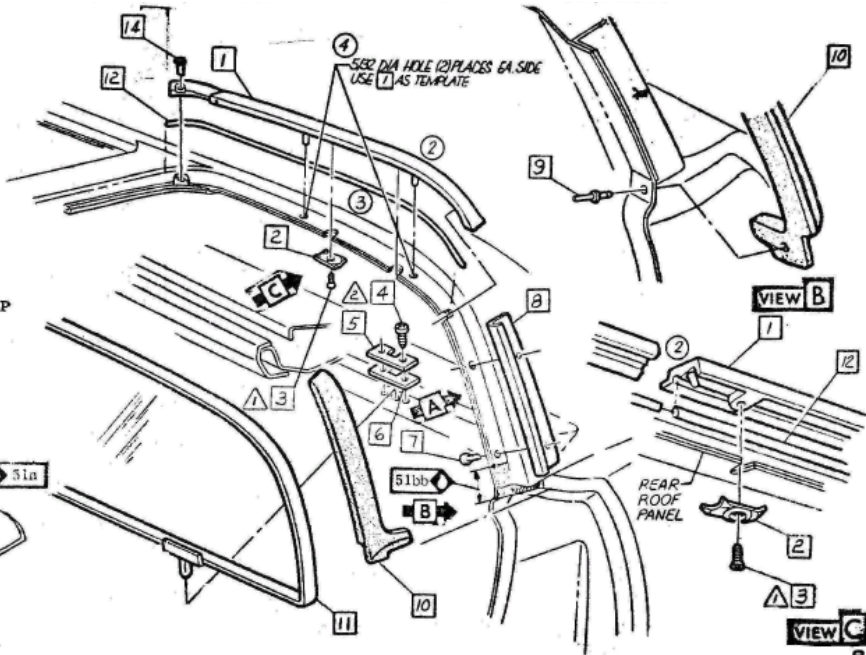
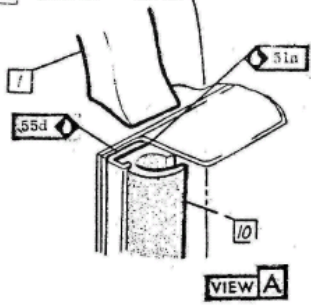
②

VIEW A ⑤



- A 11c LUBRICANT
- B 51k ADHESIVE

- 1** 3972307-8 MOLDING-RR
ROOF UPPER
- 2** 3966796 WASHER
- 3** 9431792 SCREW
- 4** 9428715 SCREW
- 5** 3964144 PLATE
- 6** 3964145 GUIDE
- 7** 9427987 RIVET
- 8** 3935508 MOLDING-RR,
ROOF LOWER
- 9** 3928470 RIVET
- 10** 3966685-6 WEATHER STRIP
ASM.
- 11** 3938098 GLASS ASM. (5)
- 12** 3851624 SEALING STRIP
- 13** 3928470 RIVET



- A** 51n ADHESIVE 1.02 OZ.
- B** 51bb ADHESIVE 2.00 OZ.
- C** 55d SEALER 3/8" DIA. BEAD

K110